

# vSolution Cynap by WolfVision

## Introduction

Cynap by WolfVision® delivers an All-in-One collaboration and presentation solution for BYOD, recording, streaming inclusive document and media player with support of up to 4K UHD.

## Hardware Hookup

Make all necessary connections according the following illustrations.  
Plug in the power cord as the last step.  
Power on the equipment.

## Operating the first time

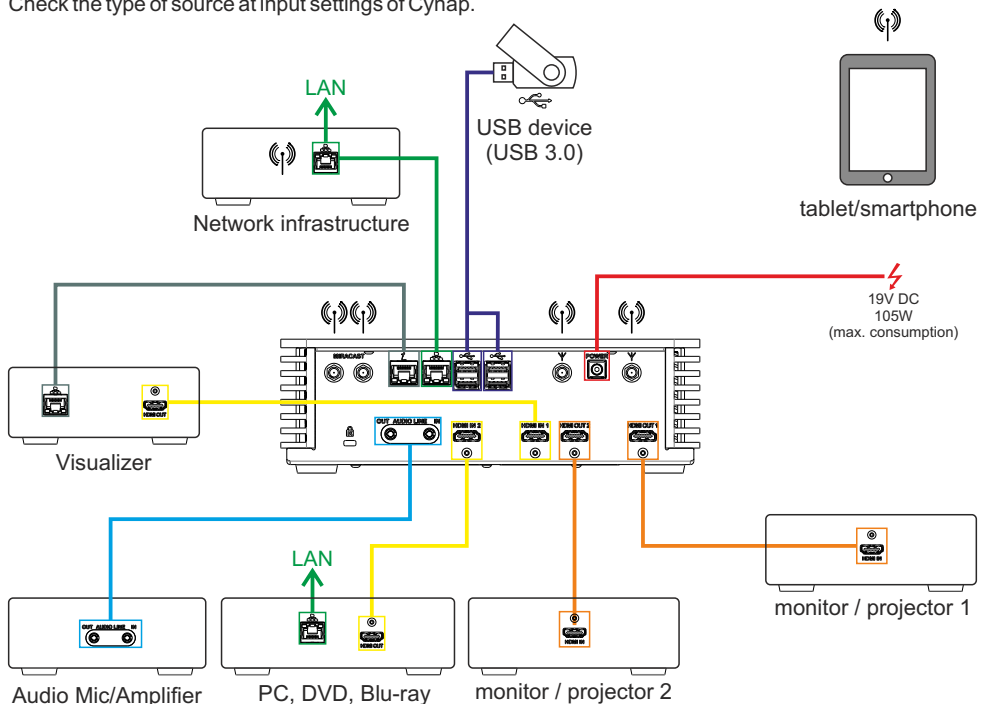
When Cynap is switched on, all settings can be done in the graphical user interface by using the remote control in the Settings (password protected). Use the [F] button to open the toolbox and the cursor keys for navigation.  
Basic settings can be done with the built-in user interface at the front (text display). The front display offers basic settings only.

## Remote Control

Pull out the plastic film near the power button of the remote control (protrudes out of the battery cover). The contact interruption protects the batteries from unintentional discharge.

## Default Setup

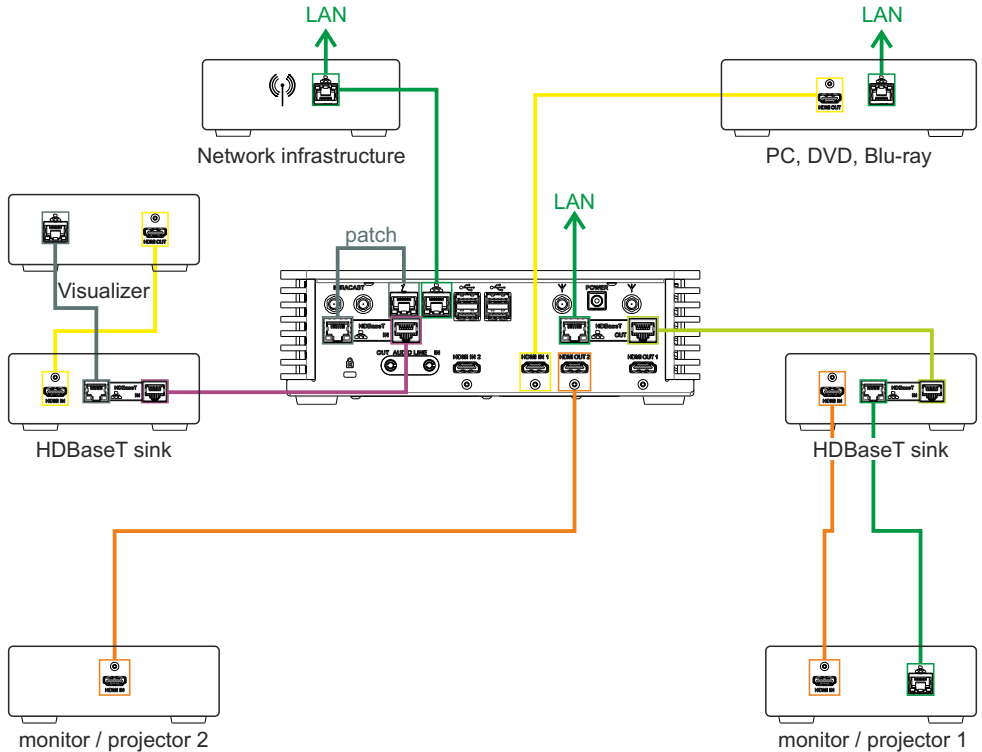
without HDBaseT.  
Check the type of source at input settings of Cynap.



## HDBaseT

HDBaseT offers the opportunity to transmit HDMI- and Ethernet signals by using a single cable (at least Cat5e). Check the type of source at input settings of Cynap.

The following setup shows additional possibilities by using HDBaseT.



HDBaseT IN (can be used only when HDMI input 2 is not in use)

HDBaseT OUT (can be used only when HDMI output 1 is not in use)

Network for the monitor 1 can be looped through HDBaseT OUT, just connect the network socket to your LAN.

## USB port (front)

The additional USB port at the front is accessible, even when Cynap is mounted into a rack.

