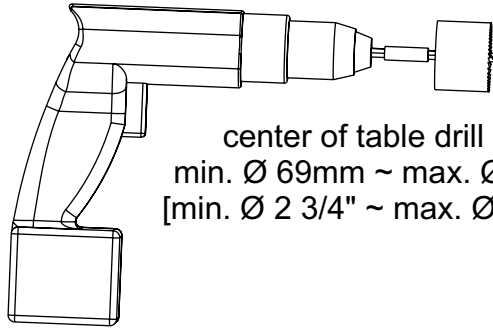
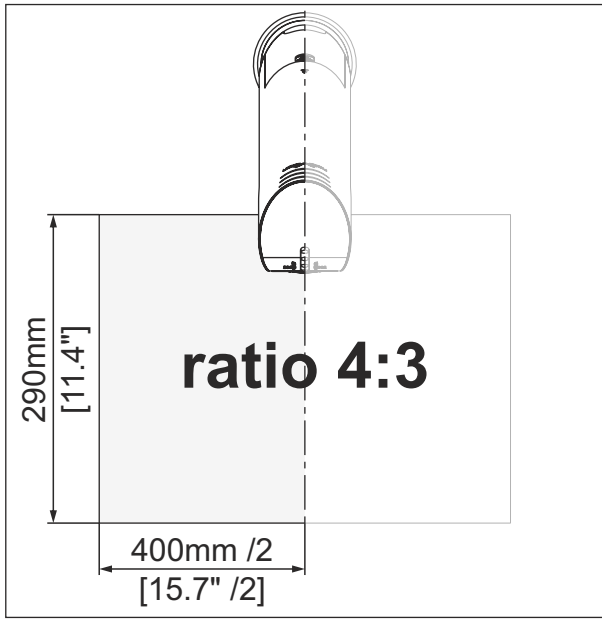
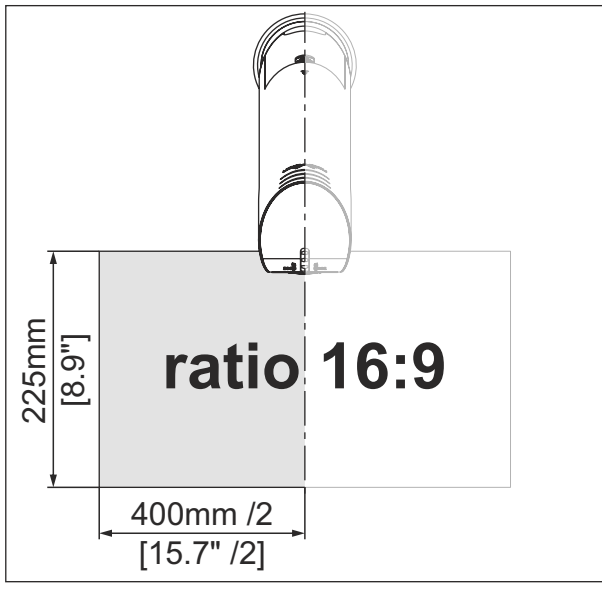


# Mounting Template Swivel VZ-Xneo



center of table drill hole  
 min.  $\varnothing$  69mm ~ max.  $\varnothing$  80mm  
 [min.  $\varnothing$  2 3/4" ~ max.  $\varnothing$  3 5/32"]

mark the complete  
 image center line  
 onto table top

mark this point  
 onto table top

ratio 4:3  
 top border of max. pick-up area

**Position and max. height of camera pick-up area at image ratio 4:3**

**400mm x 290mm  
 [15.7" x 11.4"]**

ratio 16:9  
 top border of max. pick-up area

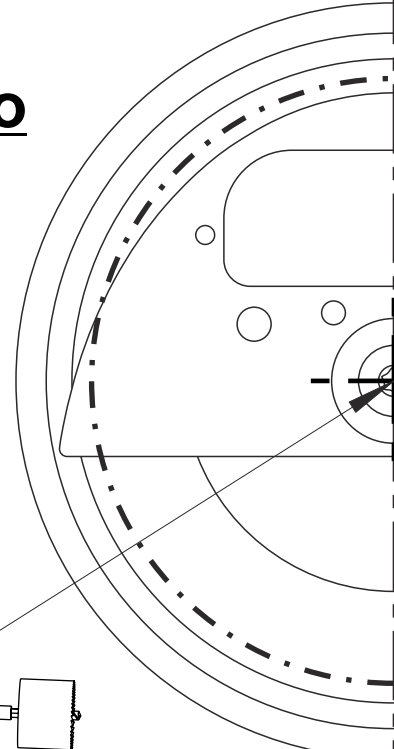
**Position and max. height of camera pick-up area at**

**image ratio 16:9**

**400mm x 225mm  
 [15.7" x 8.9"]**

ratio 16:9  
 top border of max. pick-up area

ratio 4:3  
 top border of max. pick-up area



center line