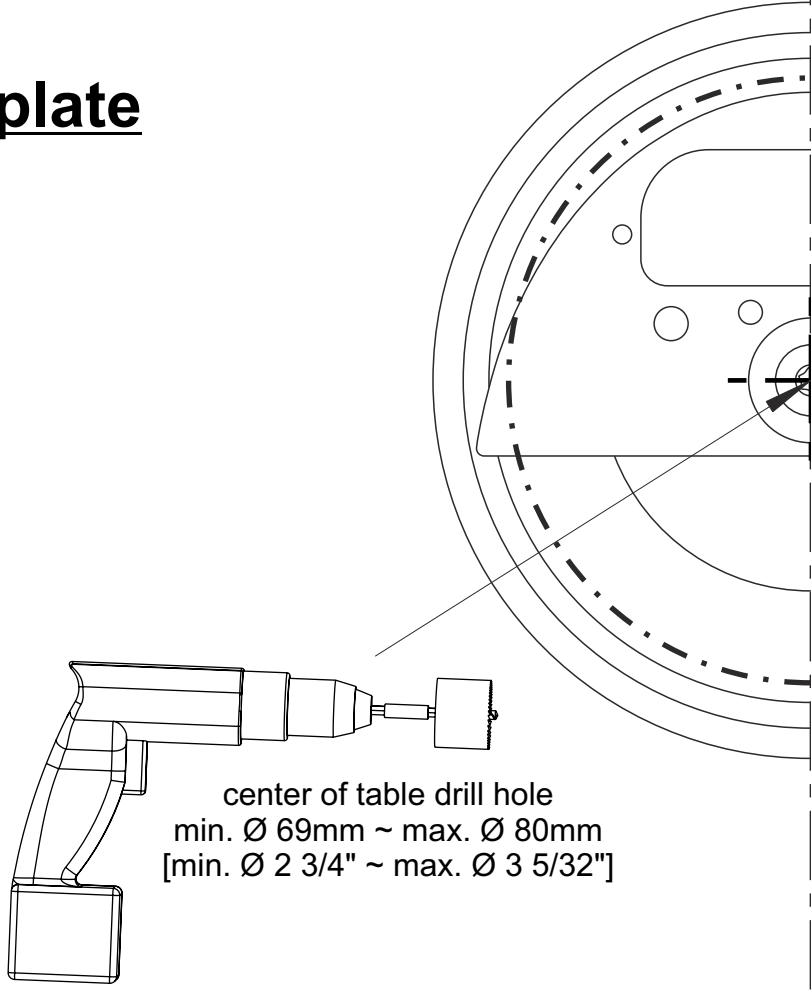
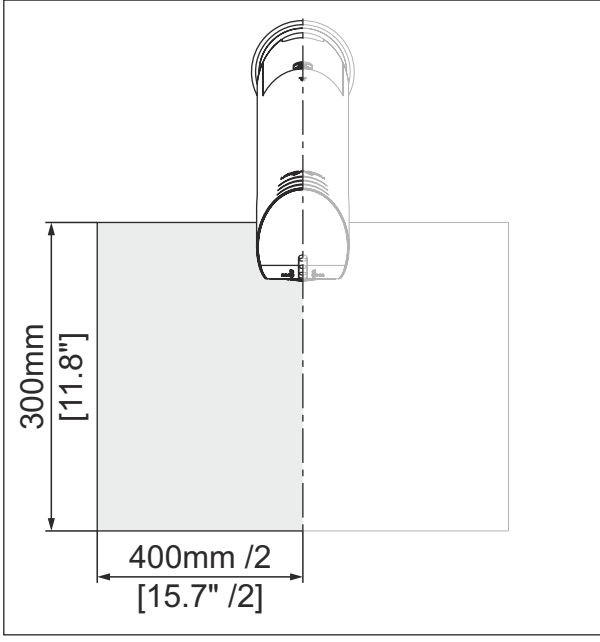


VZ-3s Mounting Template



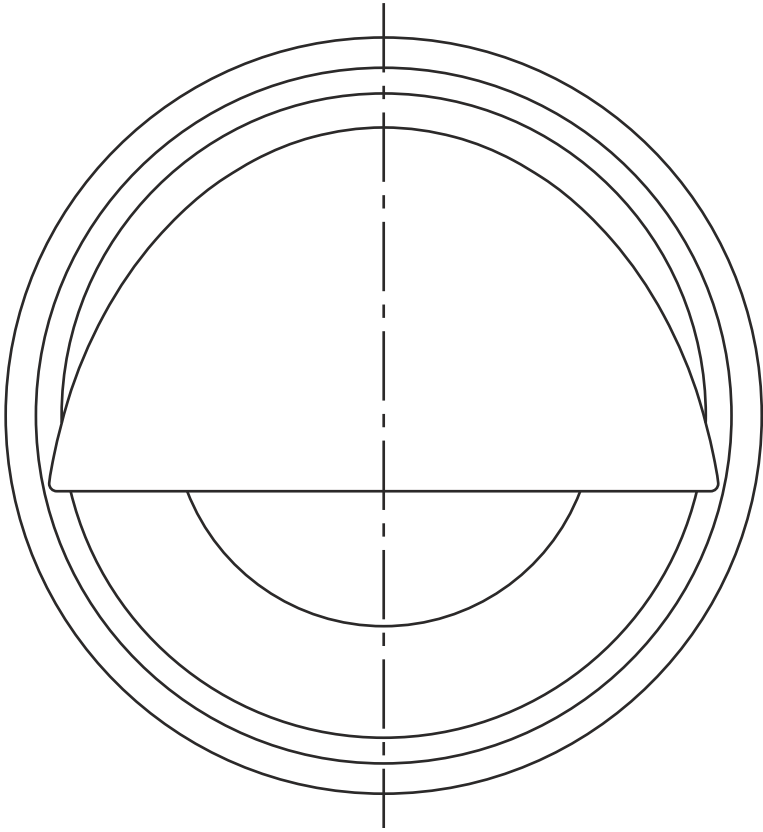
Position and max. height of camera pick-up area at image ratio 4:3

**400mm x 300mm
[15.7" x 11.8"]**

top border of max. pick-up area

center line

VZ-3s mounted turnable



Turn swivel **top** plate to the end position in the opposite direction of desired closing down.
Place the cut-out of the template onto the swivel top plate.
Move the template inclusive complete swivel until the bottom end and the center line of this template matches the markings on the table top.

Tighten the accessible screw, remove the template, turn the top plate of the swivel to access the other screw and tighten it.

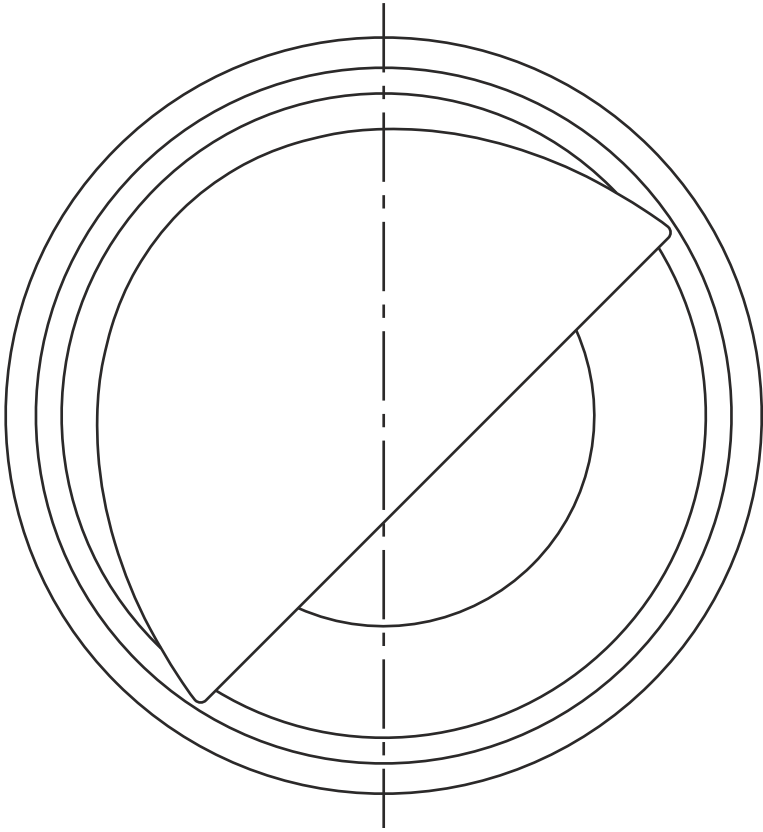
center line



top border of max. camera pick-up area (400x300mm)



VZ-3s mounted fixed



Turn swivel **top** plate counter-clock-wise to the end position.

Place the cut-out of the template onto the swivel top plate.

Move the template inclusive complete swivel until the bottom end and the center line of this template matches the markings on the table top.

Tighten the accessible screw, remove the template, turn the top plate of the swivel to access the other screw and tighten it.

center line



top border of max. camera pick-up area (400x300mm)

